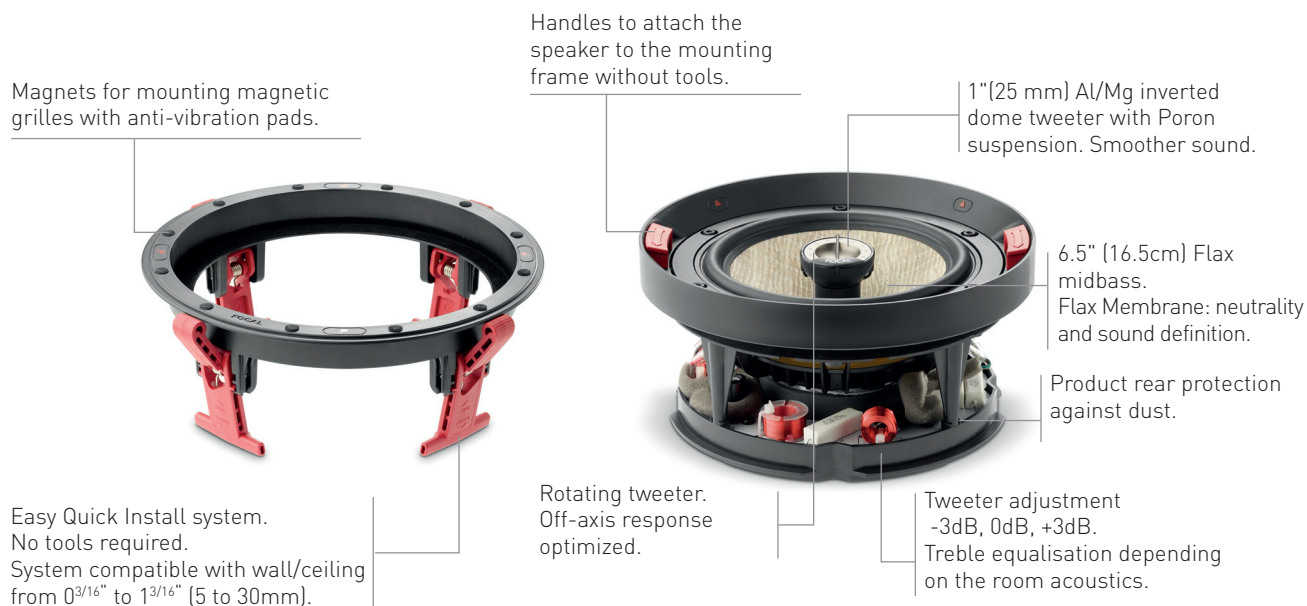


300 ICW 6

Product Data Sheet



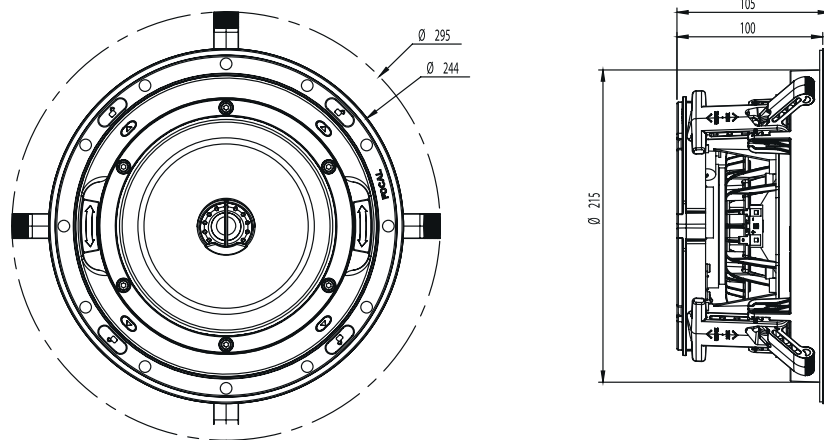
Key points

- 2-way speaker for custom install
- No tools required to install the product
- Loudspeaker developed and manufactured in France by Focal
- Delivered with square and circular front grilles and painting protective mask
- Off-axis response control (Tweeter rotation and gain adjustment)

Technical specifications

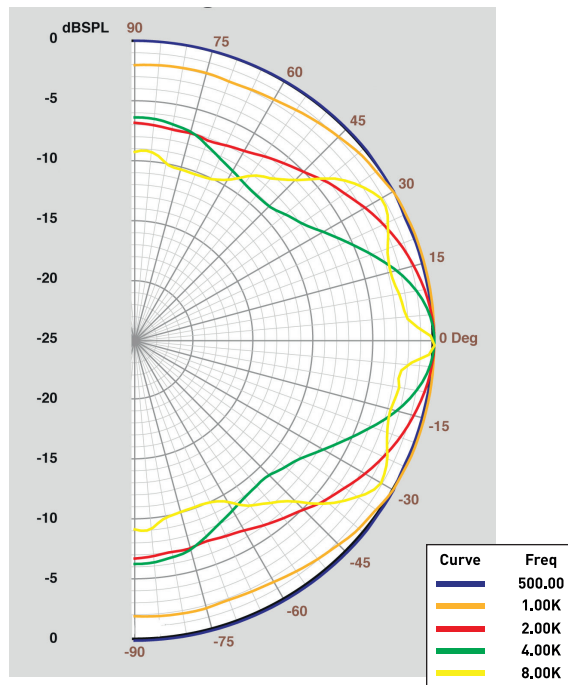
Type	2-Way
Drivers	6 ^{1/2} " (16.5cm) Flax Mid-bass 1" (25mm) Al/Mg inverted dome Tweeter
Sensitivity (2.83 V/1m)	89dB
Frequency response (+/-3dB)	65Hz - 28kHz
Low frequency point (-6dB)	45Hz
Nominal impedance	8 Ohms
Minimal impedance	4.8 Ohms
Recommended amplifier power	25 - 130W
Dimensions (Ø/depth)	9 ^{3/64} " x 4 ^{9/64} " (244x105mm)
Cut-Out diameter	8 ^{1/2} " (216mm)
Depth behind surface	3 ^{15/16} " (100mm)
Net weight (with grille)	5.29 lbs (2.4kg)
Box dimensions (WxDxH)	12 ^{13/64} " x 12 ^{13/64} " x 10 ^{5/8} " (310x310x270mm)
Total weight in box	8.6 lbs (3.9kg)

Dimensions

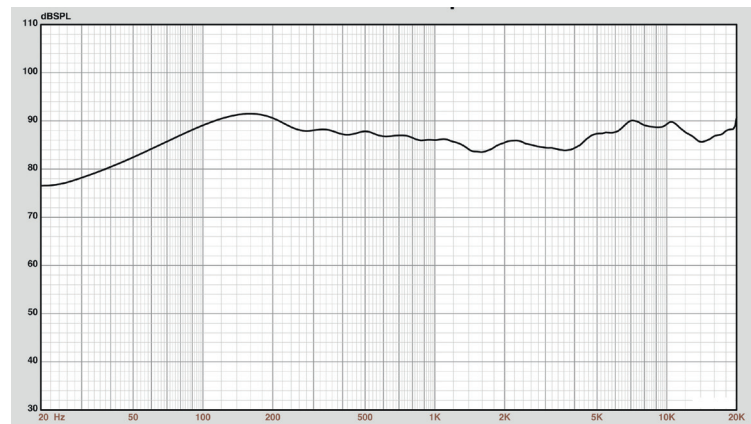


Measurements

Directivity



Frequency response



ICW6 speaker level calculation table

Power/Distance	1m	2m	5m
1 W (2.83V)	89dB	83dB	75dB
5 W (6.32V)	96dB	90dB	82dB
10 W (8.94V)	99dB	93dB	85dB
20 W (12.6V)	102dB	96dB	88dB

Summary	125Hz	250Hz	500Hz	1kHz	2kHz	4kHz	8kHz
SPL [2.83V/1m][dB]	90	89	88	87	87	86	89
Opening angle at -6dB	180°	180°	180°	180°	105°	60°	90°